

Vertical acting toggle clamps

Steel / Stainless Steel, Operating lever vertical, with safety hook, with vertical mounting base, with extended clamping arm

SPECIFICATION

Types

- Type **BL**: U-bar version, with two flanged washers
- Type **BLC**: U-bar version, with two flanged washers and GN 708.1 spindle assembly
- Type **FL**: Solid bar version, with clasp, for welding
- Type **VL**: Clamping arm extended, with slotted hole and with two flanged washers (Version in Steel)
- Type **VLC**: Clamping arm extended, with slotted hole, two flanged washers and clamping screw GN 708.1 (Version in Steel)

Version in Steel

- Case-hardened Steel C 10, zinc plated, blue passivated
- Bearing pins tempered
- Bearing rivets case-hardened

All moving parts

Lubricated with special grease

Solid designed plastic handle
Red, oil resistant

Clamping screw GN 708.1, type A

Steel, zinc plated, blue passivated

Rubber thrust pad 85 Shore A

Version in Stainless Steel NI

Stainless Steel AISI 304

All moving parts

Lubricated with special grease

Solid designed plastic handle

Red, oil resistant

Spindle assembly GN 708.1, type A

Steel, zinc plated / Stainless Steel AISI 304

Rubber thrust pad 85 Shore A

INFORMATION

GN 810.4 toggle clamps are latched in both end positions. In the clamped position, this prevents unintentional opening or opening caused by vibrations; and in the open position, it prevents self-closing of the toggle clamp, such as due to an extended clamping arm. The latching can be disabled with a single hand to allow for opening / closing.

They work according to the toggle principle: lever and clamping bar move in the same direction. In the clamped position the operating lever is in its vertical position.

Vertical acting toggle clamps in the U-bar version with two flanged washers (type BL) can accommodate an application specific clamping screw. A clamping screw with neoprene rubber tip is also included for type BLC.

Type FL version can either be utilized by welding the clasp which can then accommodate an application specific hold-down fastener component, or by utilizing the bar in conjunction with the GN 809 (see page) holders for clamping screws to hold the work piece in place.

Toggle clamps in the U-bar version with two flanged washers (type VL) can accommodate an application specific clamping screw. A clamping screw with neoprene rubber tip is also included for type VLC.

- General information for toggle clamps (see page 1560)

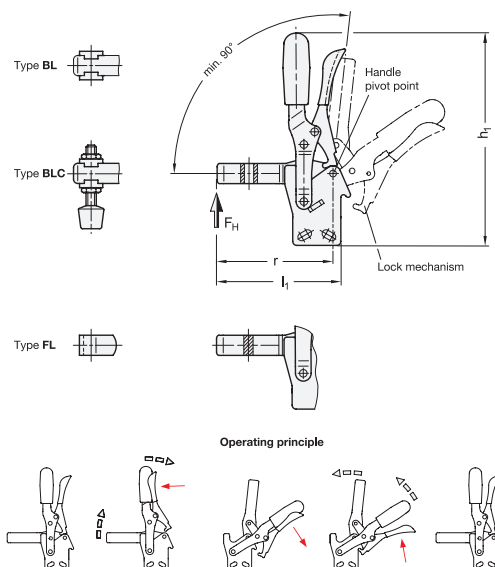


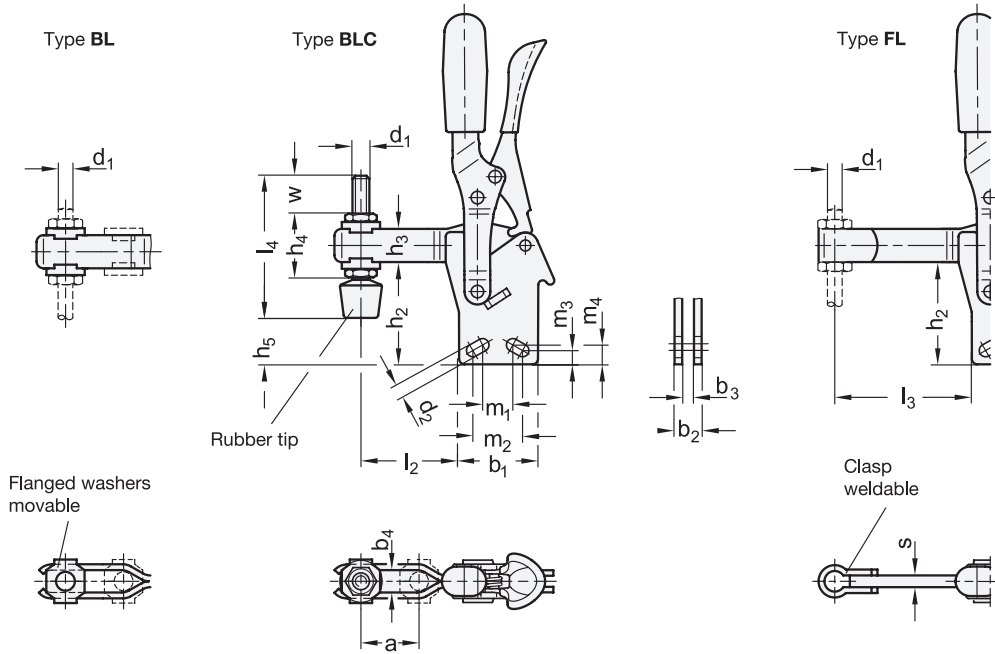
TECHNICAL INFORMATION

- Stainless Steel characteristics (see page A26)

ACCESSORY

- Spindle assemblies (see page)
- Clamping screws (see page)
- Holders for clamping screws GN 801 (for type BL) (see page 1629)
- Holders for clamping screws GN 809 (for type FL) (see page 1630)
- Clamping arm extenders GN 801.1 (for type BL) (see page)
- Clamping arm extenders GN 801.2 (for type FL) (see page)
- Clamping arm extenders GN 809.1 (for type FL) (see page)





GN 810.4

Description	Size	Fh in N	a ≈	b1	b2	b3	b4	d1	d2 ≈	h1 ≈	h2	h3	h4	h5 max.	l1 ≈	l2 ≈	l3 max.	l4	m1	m2	m3	m4	r ≈	s	w	⚖	
GN 810.4-130-BL	130	1050	28	35	10	5	6.2	M 6	5.5	156	41.5	16	25.5	25	85	42	-	54	55	12.5	19	6.5	7.5	79	5	17.5	264
GN 810.4-130-BLC	130	1050	28	35	10	5	6.2	M 6	5.5	156	41.5	16	25.5	25	85	42	-	54	55	12.5	19	6.5	7.5	79	5	17.5	280
GN 810.4-130-FL	130	1050	28	35	10	5	6.2	M 6	5.5	156	41.5	16	25.5	25	86	42	-	54	55	12.5	19	6.5	7.5	79	5	17.5	271
GN 810.4-130-VL	130	500	67.5	35	10	5	6.3	M 6	5.5	156	41.5	16	25.5	25	164	121	55	-	-	12.5	19	6.5	7.5	158	-	17.5	375
GN 810.4-130-VLC	130	500	67.5	35	10	5	6.3	M 6	5.5	156	41.5	16	25.5	25	164	121	55	-	-	12.5	19	6.5	7.5	158	-	17.5	391
GN 810.4-230-BL	230	2000	40	43	12	6	8.5	M 8	6.5	183	48	18	30	24	110.5	58	-	73	68	18	21	6.5	6.5	104	6	20	444
GN 810.4-230-BLC	230	2000	40	43	12	6	8.5	M 8	6.5	183	48	18	30	24	110.5	58	-	73	68	18	21	6.5	6.5	104	6	20	478
GN 810.4-230-FL	230	2000	40	43	12	6	8.5	M 8	6.5	183	48	18	30	24	112	58	-	73	68	18	21	6.5	6.5	104	6	20	456
GN 810.4-230-VL	230	1000	71.5	43	12	6	8.2	M 8	6.5	183	48	18	30	24	198	145.5	68	-	-	19.5	19.5	6.5	6.5	191	-	20	545
GN 810.4-230-VLC	230	1000	71.5	43	12	6	8.2	M 8	6.5	183	48	18	30	24	198	145.5	68	-	-	19.5	19.5	6.5	6.5	191	-	20	579

GN 810.4-NI

STAINLESS STEEL

Description	Size	Fh in N	a ≈	b1	b2	b3	b4	d1	d2 ≈	h1 ≈	h2	h3	h4	h5 max.	l1 ≈	l2 ≈	l3 max.	l4	m1	m2	m3	m4	r ≈	s	w	⚖
GN 810.4-130-BL-NI	130	1050	28	35	10	5	6.2	M 6	5.5	156	41.5	16	25.5	25	85	42	54	55	12.5	19	6.5	7.5	79	5	17.5	264
GN 810.4-130-BLC-NI	130	1050	28	35	10	5	6.2	M 6	5.5	156	41.5	16	25.5	25	85	42	54	55	12.5	19	6.5	7.5	79	5	17.5	280
GN 810.4-130-FL-NI	130	1050	28	35	10	5	6.2	M 6	5.5	156	41.5	16	25.5	25	86	42	54	55	12.5	19	6.5	7.5	79	5	17.5	271
GN 810.4-230-BL-NI	230	2000	40	43	12	6	8.5	M 8	6.5	183	48	18	30	24	110.5	58	73	68	18	21	6.5	6.5	104	6	20	444
GN 810.4-230-BLC-NI	230	2000	40	43	12	6	8.5	M 8	6.5	183	48	18	30	24	110.5	58	73	68	18	21	6.5	6.5	104	6	20	478
GN 810.4-230-FL-NI	230	2000	40	43	12	6	8.5	M 8	6.5	183	48	18	30	24	112	58	73	68	18	21	6.5	6.5	104	6	20	456

