

## Rubber pads

for levelling feet GN 148

### SPECIFICATION

#### Types

- Type **A**: for two-hole flange ( $d_1 = 60 / 90 / 113$ )
- Type **B**: for four-hole flange ( $d_1 = 113 / 126$ )

Rubber (NBR)

- Hardness 68 Shore A  $\pm 5$ , black
- oil resistant

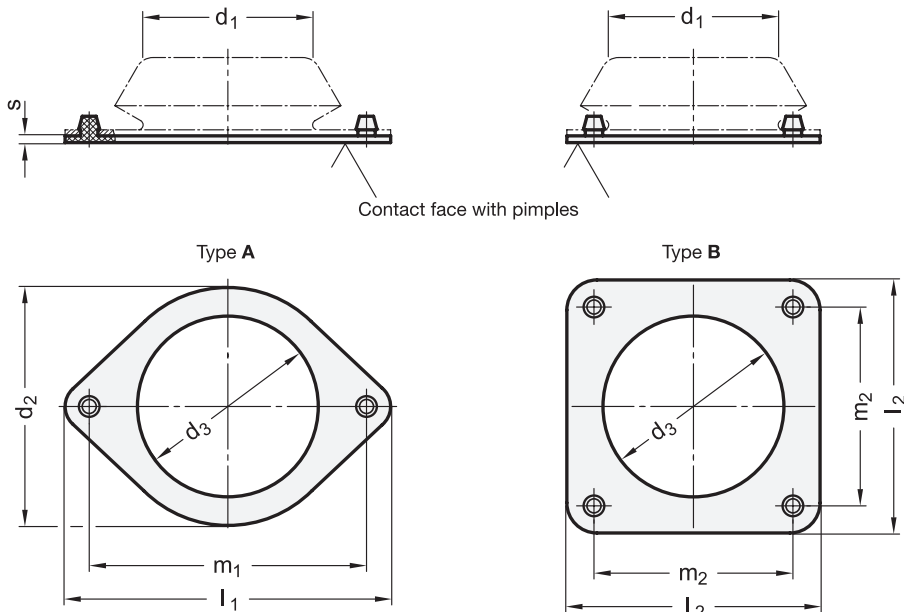
### INFORMATION

Rubber pads GN 148.2 in connection with GN 148 (see page 1304) levelling feet are used for setting up machines and units if no firm bolt connection to the ground is required.

To be fixed to the levelling foot, they are snapped into the attachment bore holes of the flanges. Small pimples at the bottom face of the rubber pads enhance the stability.

### TECHNICAL INFORMATION

- Elastomer characteristics (see page A32)



### GN 148.2

Description	d1	l1	l2	d2	d3	m1	m2	s	$\Delta$
GN 148.2-128-A	60	128	-	78	65	110	-	3	15
GN 148.2-170-A	90	170	-	110	90	140	-	3	29
GN 148.2-216-A	113	216	-	150	120	184	-	4	55
GN 148.2-168-B	113	-	168	-	120	-	132	4	88
GN 148.2-184-B	126	-	184	-	150	-	150	4	88

